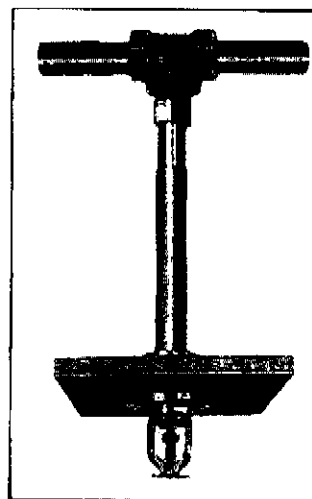


Reliable®

Model G3 Dry Sprinkler

Features

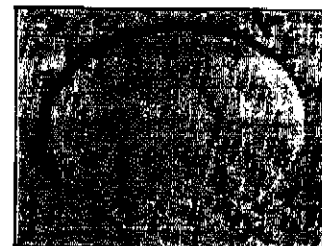
1. Styles available:
 - Pendent
 - Recessed
 - Concealed
2. 1½" Escutcheon adjustment on dry pendent sprinkler.
3. ½" Escutcheon adjustment on dry pendent recessed sprinkler.
4. Employs attractive center strut, lever and solder capsule principle.
5. Lengths available to accommodate any desired installation dimensions from 2" to 36".
6. Available in a variety of finishes.
7. Unobstructed waterway.
8. Sprinklers may be installed after installation of ceiling.
9. U.S. Patent No. 4,288,858
Canadian Patent No. 1,112,126
10. Listed by Underwriters Laboratories Inc. & Underwriters' Laboratories of Canada. Approved by Factory Mutual Research Corp. & Fire Offices Committee, NYC BS&A No. 587-75-SA.



Pendent



Recessed



Concealed

Product Description

All Reliable Model G3 Automatic Dry Pendent Sprinklers utilize the center strut in compression principle of construction which controls the valve mechanism at the inlet end. This valve seals water and air from the sprinkler pipe until the sprinkler is activated. At this time, water

flows unobstructedly through the sprinkler and is distributed by the deflector. The Model G3 Dry Sprinkler is available in pendent, recessed and concealed types in a variety of finishes.

Model G3 Dry Pendent Sprinkler

"A" Dim.	2" to 36"
----------	-----------

Finishes:

Natural Bronze	—All Temp. ratings
Bright Chrome Plated	—All Temp. ratings
Satin Chrome Plated	—All Temp. ratings
Lead Plated	—165°F, 212°F & 286°F ratings
Wax Coated	—165°F Clear Wax, 212°F Brown Wax
Wax Coated Over Lead Plated	—165°F Clear Wax, 212°F Brown Wax

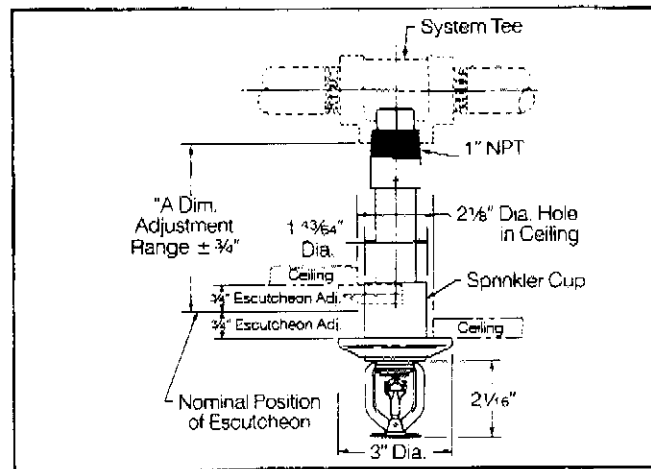
Sprinkler Temperature Rating	Frame Color*	Max. Ceiling Temp.
135°F (57°C)	Black Stripe	100°F (38°C)
165°F (74°C)	Uncolored	100°F (38°C)
212°F (100°C)	White	150°F (66°C)
286°F (141°C)	Blue	225°F (107°C)

*Frame color does not apply to chrome plated sprinklers

Sprinkler Installation Wrench:

Model G3 Sprinkler Wrench

Note: Sprinkler cup protrudes $\frac{3}{4}$ " when escutcheon is in nominal position. To minimize cup protrusion order the next smaller "A" dimension.



Model G3 Dry Pendent Recessed Sprinkler

"A" Dim.	4 $\frac{1}{8}$ " to 35 $\frac{1}{8}$ "
----------	---

Finishes:

Sprinkler	Escutcheon
Bronze	Bronze
Bronze	White
Chrome Bright	Chrome Bright
Chrome Bright	Chrome Dull
Chrome Bright	White

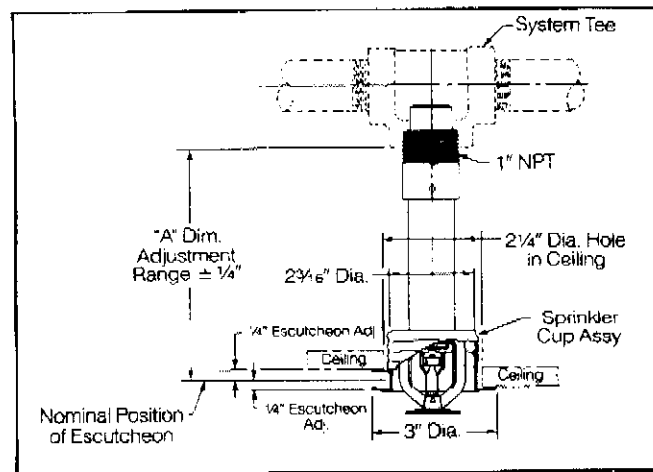
Sprinkler Installation Wrench:

Model G3 Recessed and Concealed Wrench

Sprinkler Temperature Rating	Max. Ceiling Temp.
135°F (57°C)	100°F (38°C)
165°F (74°C)	100°F (38°C)
212°F (100°C)	150°F (66°C)

Escutcheon Installation Wrench:

Reliable Model FEA Flush Sprinkler Escutcheon Wrench



Model G3 Dry Pendent Concealed Sprinkler

"A" Dim.	5 1/4" to 35 1/4"
----------	-------------------

Cover Plate Finishes:

Bronze
 Chrome Bright
 White Painted
 Other Factory Painted Finishes
 Quoted Upon Request

Sprinkler Temperature Rating	Cover Plate Temp. Rating	Max. Ceiling Temp.
135°F (57°C)	135°F (57°C)	100°F (38°C)
165°F (74°C)	165°F (74°C)	100°F (38°C)
212°F (100°C)	165°F (74°C)	100°F (38°C)

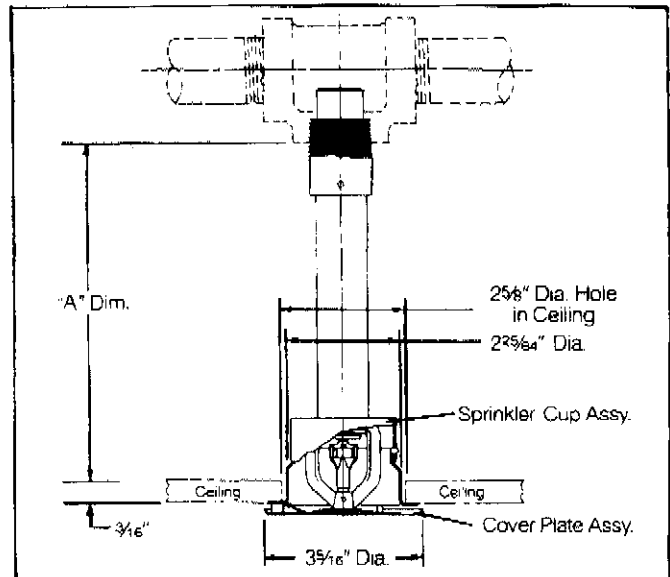
Sprinkler Installation Wrench:

Model G3 Recessed and Concealed Wrench

Note: The Dry Pendent Concealed Sprinkler which has no length adjustment, has an "A" dimension tolerance of $\pm .17"$ including its standard (ANSI B2.1) pipe thread tolerance $\pm .09"$ (± 1 turn). The mating tee in the system has a standard pipe thread tolerance of $\pm .09"$ (± 1 turn). The combination results in a potential installed length variation of $\pm .26"$ or about $\pm 1/4"$.

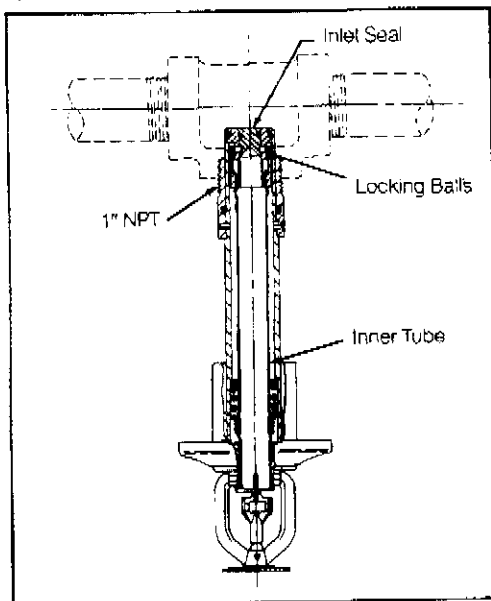
Adjustment must be obtainable in the piping and/or ceiling to compensate for this $\pm 1/4"$ length variation to prevent:

- Excessive ceiling to cover plate gap
- Inability to install cover plate assembly.



Operation

When the sprinkler has been fused, its operating parts spring away allowing the spring-loaded inner tube to move toward the sprinkler head releasing the locking balls. The inlet seal is now free to be expelled through the sprinkler head permitting an unobstructed flow of water.



Sprinkler Type

Dry Pendent
 Dry Pendent Recessed
 Dry Pendent Concealed

Approvals

1, 2, 4, 5, 6
 1, 3, 4, 5
 1, 3, 4, 5

Approval Organizations

- Underwriters Laboratories, Inc.
 - Factory Mutual Research Corp. (Ordinary Hazard)
 - Factory Mutual Research Corp. (Light Hazard)
 - N.Y.C.B.S. & A. No. 587-75-SA
 - Underwriters' Laboratories of Canada
 - Fire Offices Committee (57°C & 74°C only)
- Note: Listed and Approved Length, 36\"/>

Technical Data:

Orifice Size: 1/2"
 Thread Size: 1 NPT
 Working Pressure: 175 psi
 "K" Factor: Up to 18": 5.7
 19" to 36": 5.5

Ordering Information

Specify:

1. Sprinkler temperature rating
2. Sprinkler type (select one)
 - Dry Pendent
 - Dry Pendent Recessed
 - Dry Pendent Concealed
3. Sprinkler finish
4. Escutcheon finish (where applicable)
5. Cover Plate finish (where applicable)
6. Length
 - "A" dimension (face of tee to face of ceiling) in 1/2" increments.

Note: The "A" dimension is based on a nominally gaged pipe thread "make-up" of .660: per ANSI B2.1

Application

The Reliable Dry Sprinkler is a maintenance-free, fast-operating sprinkler designed for pendent installation where freezing temperatures are encountered. When installed in a wet system in a heated area, the dry sprinkler may extend into an unheated or refrigerated area. When installed in a dry system, the dry sprinkler prevents the accumulation of water in drop nipples and therefore eliminates the need for draining the drops after system testing.

Installation

The dry sprinkler must be installed only in standard (ANSI B16.4) pipe tees even at the end of a branch line. The sprinkler is easily installed as follows:

1. Cut the appropriate size hole for the sprinkler in the ceiling directly beneath the tee.
2. Apply pipe joint compound to the 1" pipe threads and install sprinkler using the appropriate sprinkler installation wrench.
3. Install the escutcheon. Use of the FEA Wrench to install the recessed escutcheon will avoid smudge marks on the ceiling. See Bulletin 205 for details.

The Reliable Recessed and Concealed Wrench, Figure (1), is designed to locate on the wrenching pads of the sprinkler while centering in the cup. A standard 1/2" drive ratchet may be used to drive this wrench.

Figure (2) shows the removal of the wrench. Care should be taken during this procedure to avoid hitting the deflector with the wrench. The wrench should be lowered until it clears the cup, and then moved horizontally to clear the sprinkler.

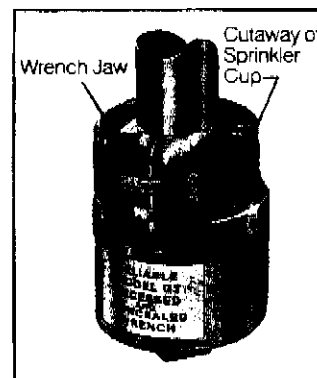


Figure 1

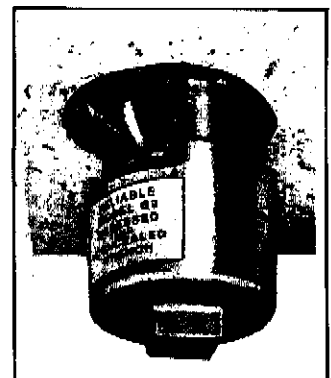


Figure 2

The equipment presented in this bulletin is to be installed in accordance with the latest published Standards of the National Fire Protection Association, Factory Mutual Research Corporation, or other similar organizations and also with the provisions of governmental codes or ordinances whenever applicable.

Reliable Sprinkler Devices, protecting life and property for over 60 years, are approved by all fire insurance and government agencies, and are installed and serviced by Reliable's chain of representatives.

Reliable representatives, located throughout the United States, Canada and foreign countries, have a life-time of experience and are as near as your telephone.

Manufactured by

Reliable

**The Reliable
Automatic Sprinkler
Co., Inc.**
525 North MacQuesten Parkway
Mount Vernon, New York 10552
(914) 668-3470

(S) PRINTED IN U.S.A. 3/67